

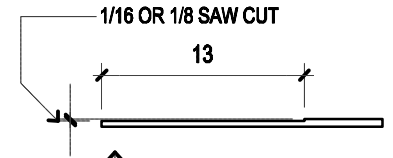
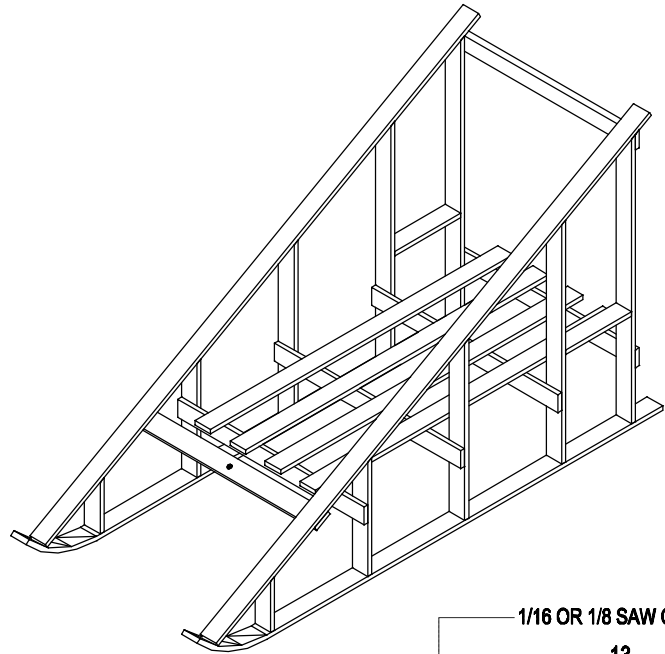
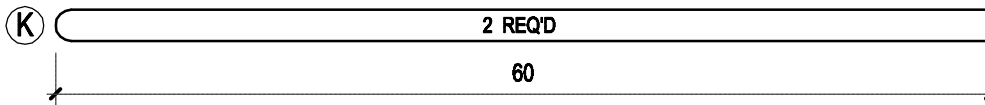
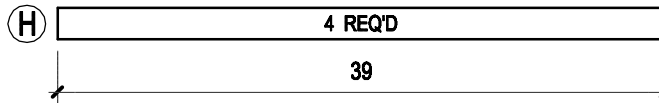
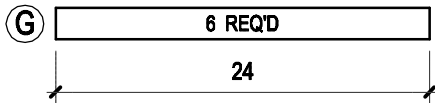
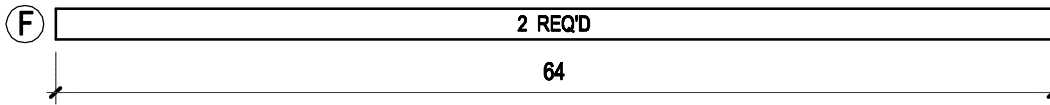
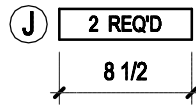
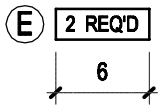
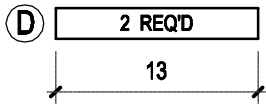
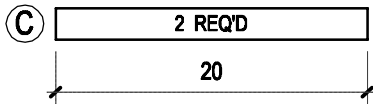
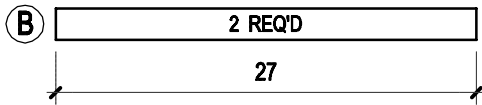
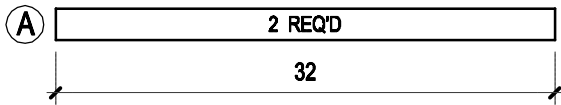
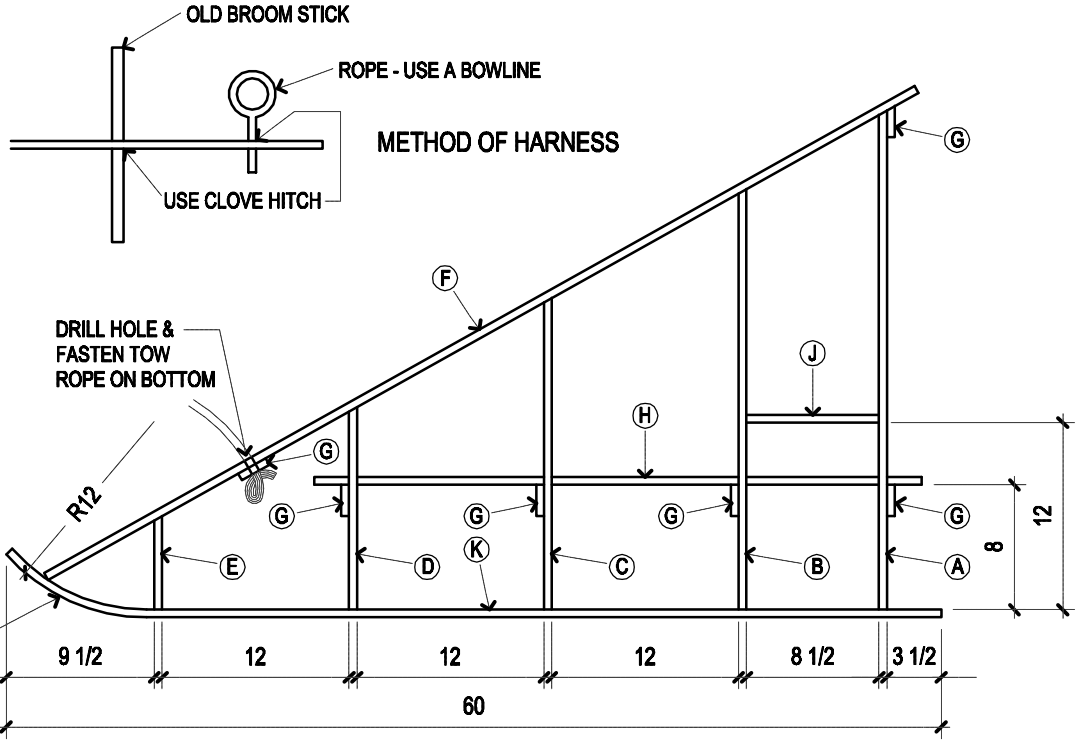
SNOW DERBY SLED PLANS

ALL MATERIAL SHOWN IS 1/2"x 2" STOCK

REMEMBER, KEEP IT LIGHT, YOU WILL BE PULLING IT

ALL JOINTS TO BE FASTENED WITH #10 OR #12 x 1-1/2" WOOD SCREWS

WOOD MUST BE SOAKED IN BOILING WATER FOR AT LEAST 2 HOURS BEFORE YOU TRY TO BEND IT.
OPTION: USE AN OLD PAIR OF SKIS



TRY LAMINATED RUNNERS
RUN A SAW CUT FOR 13 OR 14 INCHES THRU THICKNESS OF SKI. USE A PIECE OF VENEER OR PLYWOOD AND GLUE IN PLACE. FORM BED.
NO SOAKING FOR THIS METHOD